

Pressure switches DS-103 and DS-104

DS-103/ES/MS-***

Weight: 1,5 kg

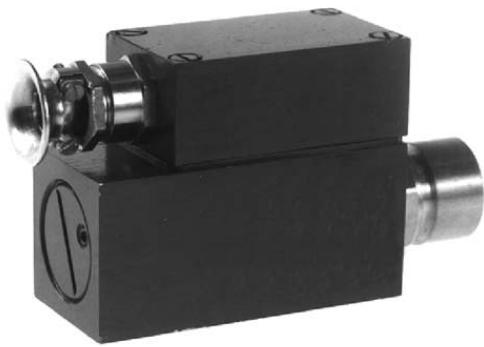
(*** = pressure range)

For the mining industry

Housing brass

Electrical production facilities
or machines for mines with mine gas.

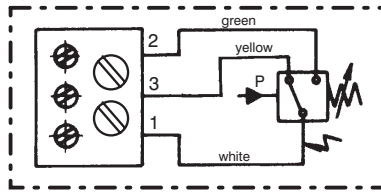
Connection box:
with 3-pole terminal board



Also with ATEX admittance
DMT 02 ATEX E 200

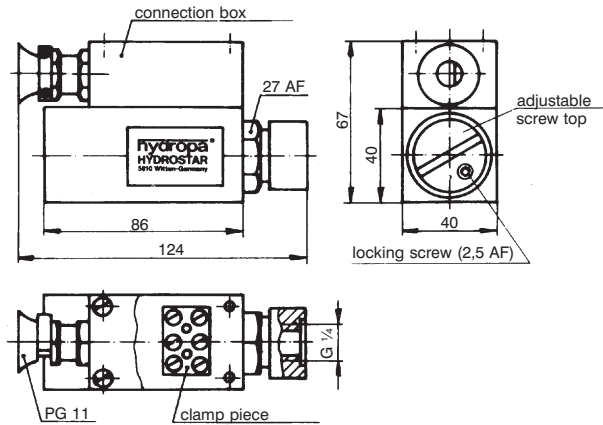
Equipment identification: **Ex** I M2 EEx ia I
Please indicate supplement "ATEX" at order!

Symbol



pressure ranges:

55	= 5- 55 bar
100	= 10- 100 bar
150	= 20- 150 bar
240	= 40- 240 bar
350	= 20- 350 bar
420	= 50- 420 bar
600	= 50- 600 bar



NOTE !

The unit may only be installed by technical specialists. Comply with the national and international regulations for the installation of electro-technical equipment. Voltage supply in compliance with EN 50178, SELV, PELV. Ensure that the equipment is not energized before connecting the unit.

DS-104/EX-***

Weight: 0,8 kg
(*** = pressure range)

According to Council Directive 94/9/EC (ATEX)



Pressure switch type DS-104/EX is fitted with a special end switch from Bartec. This end switch has the approval acc. PTB no. 01 ATEX 1005X dated 16.05.2001.
Identification of the end switch : **Ex** II 2G EEx d IIC T6.

Special requirements:

The end switch must be mounted with a mechanical protection.

The cable of this electrical end switch must be fix and properly laid in order to avoid mechanical damage.

Working temperature: -20 °C up to +70 °C

NOC/NCC contact

Cable length: 4 m, longer on request

Max. electrical load:

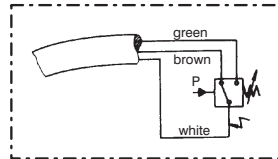
DC 250 V, 0,25 A

When separate earth is done by customer the end switch can be loaded with max. AC 250 V 5,0 A.

See certificate of conformity PTB 01 ATEX 1005X.

End switch type 07-2501-6.

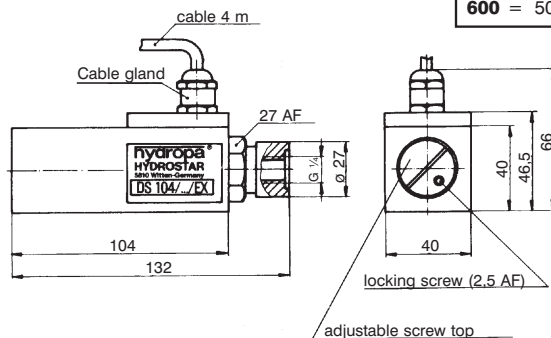
Symbol



**Earthing separately
e.g. by
pipeline**

pressure ranges:

55	= 5- 55 bar
100	= 10- 100 bar
150	= 20- 150 bar
240	= 40- 240 bar
350	= 20- 350 bar
420	= 50- 420 bar
600	= 50- 600 bar



Type	Description
DS-104/EX-***	Pressure switch, explosion-proof
DS-104/EX/V2-***	with scale and knurled knob ø 30 mm
DS-104/EX/V2/AS-H2-***	with scale, knurled knob ø 30 mm and lock E10 H2
DS-104/EX/SCH-***	panel mounting
DS-104/EX/SCH/V2-***	panel mounting and knurled knob ø 30 mm
DS-104/EX/SCH/V2/AS-H2-***	panel mounting, knurled knob ø 30 mm and lock E10 H2



NOTE !

The unit may only be installed by technical specialists. Comply with the national and international regulations for the installation of electro-technical equipment. Voltage supply in compliance with EN 50178, SELV, PELV. Ensure that the equipment is not energized before connecting the unit.

For Accurate Switching- **hydropa®-HYDROSTAR**