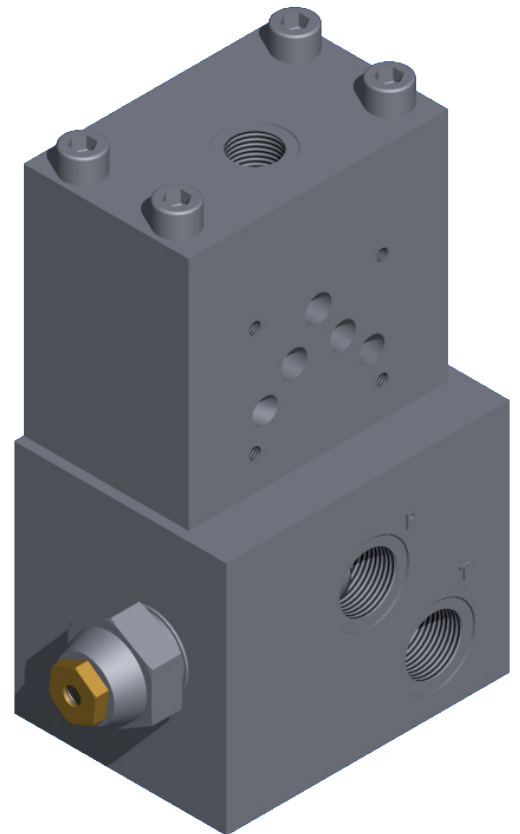
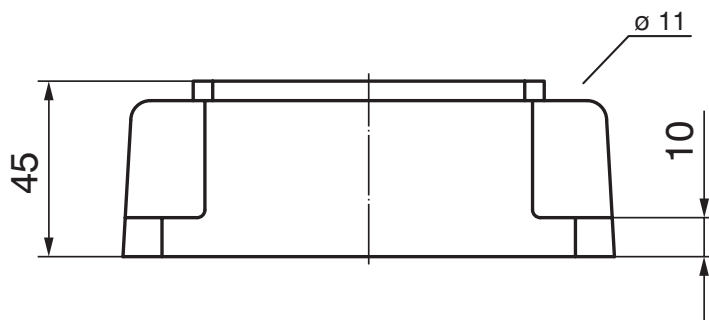
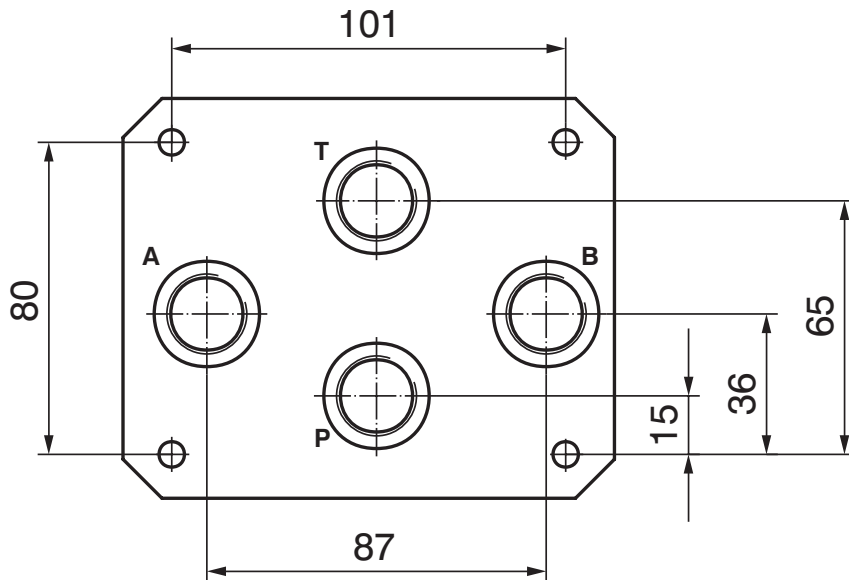


Einzelplatten
Single base plates

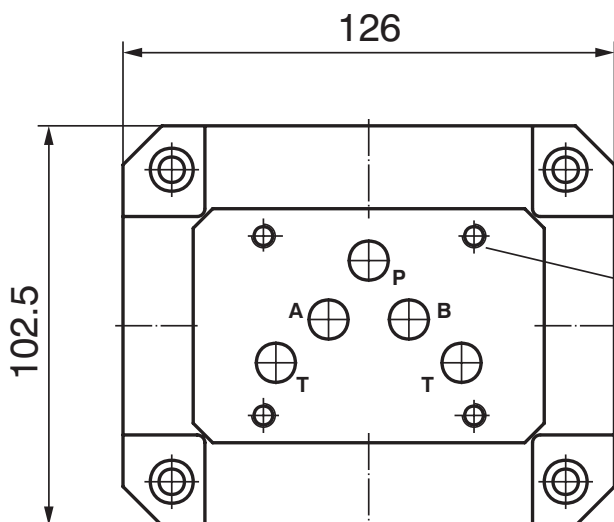
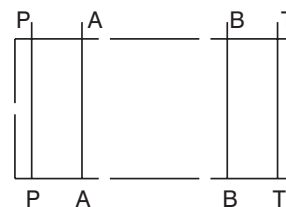
Verkettungsplatten
Modular plates



Grundplatte / Base plate PG 40/3



Schalt-symbol Symbol



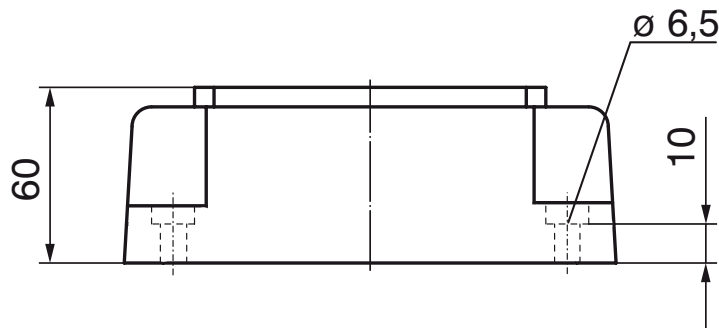
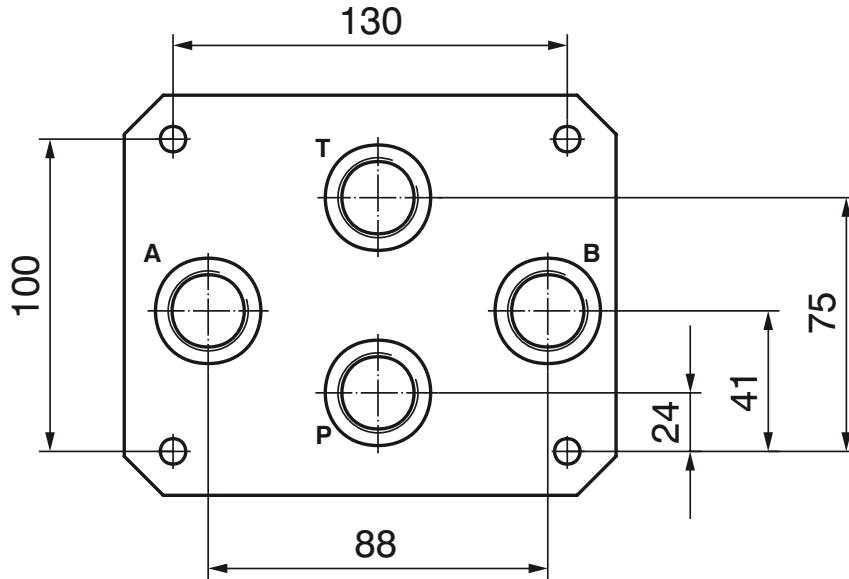
Anschlußbild
A10 DIN 24340 bzw. CETOP 5
Mounting configuration
A10 DIN 24340 resp. CETOP 5

M 6 - 13 tief / deep

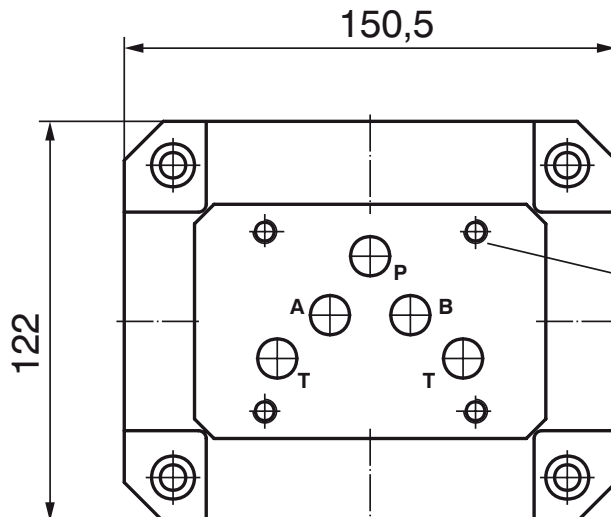
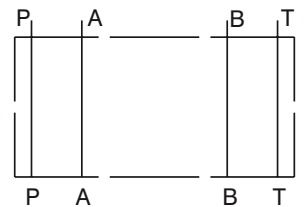
Anschlüsse Connections

A, B, P, T = G 1/2

Grundplatte / Base plate
PG 40/5



Schalt-symbol
Symbol



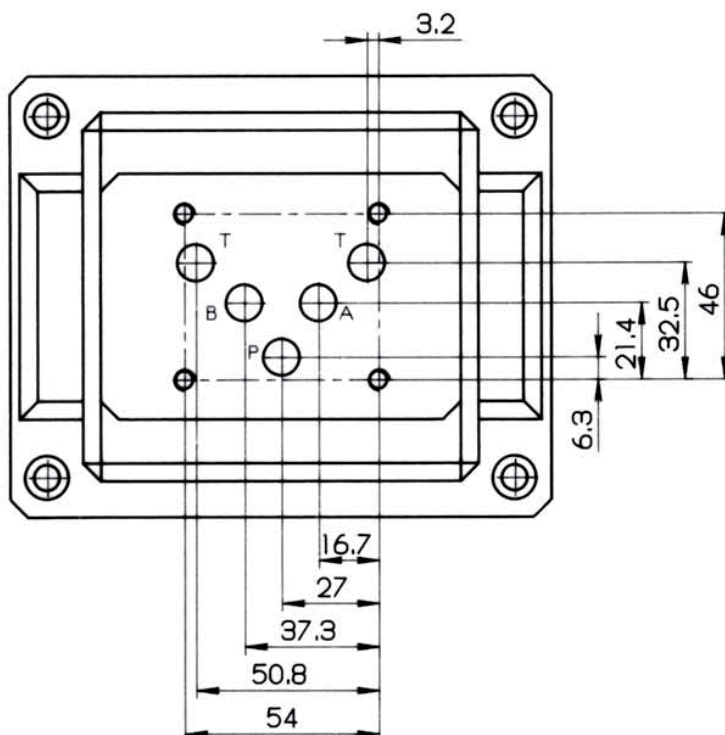
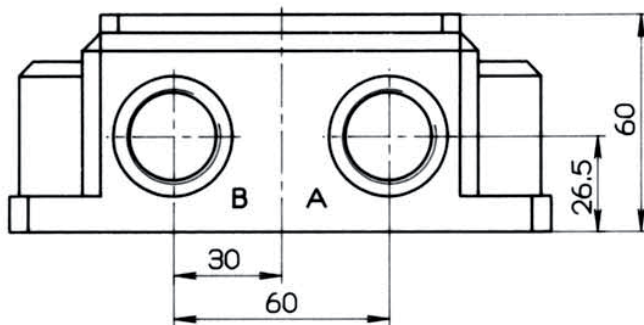
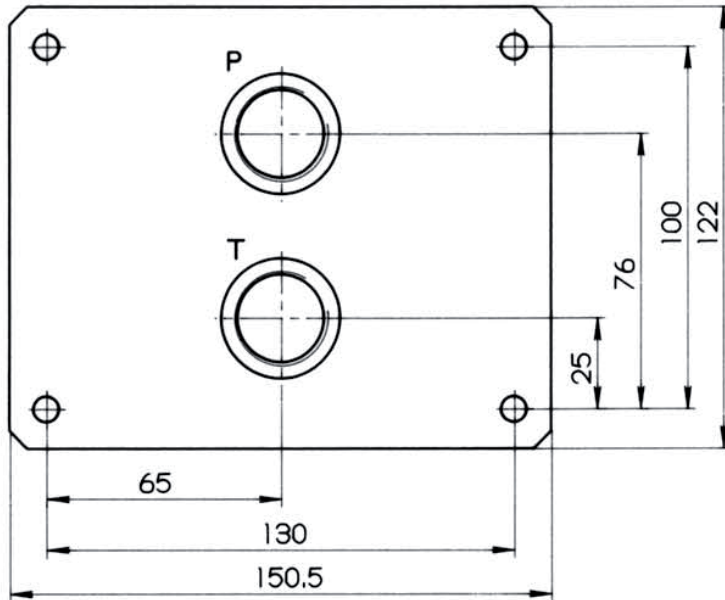
Anschlußbild
 A10 DIN 24340 bzw. CETOP 5
Mounting configuration
 A10 DIN 24340 resp. CETOP 5

M 6 - 13 tief / deep

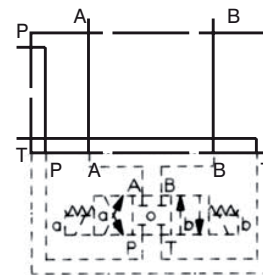
Anschlüsse
Connections

A, B, P, T = G 3/4

Grundplatte / Base plate PG 42/5



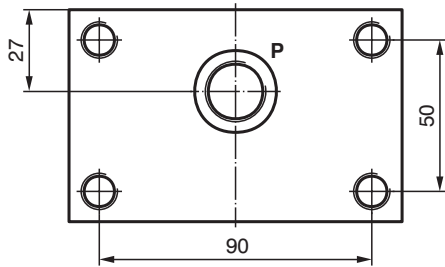
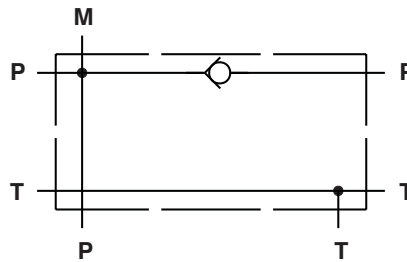
Schaltsymbol Symbol



- | | | |
|----------|---|-------|
| A | = | G 3/4 |
| B | = | G 3/4 |
| P | = | G 3/4 |
| T | = | G 3/4 |

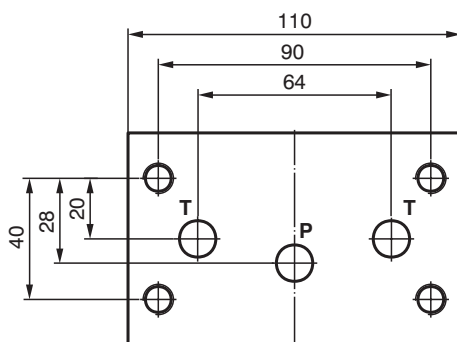
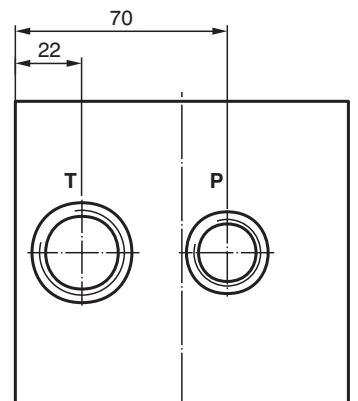
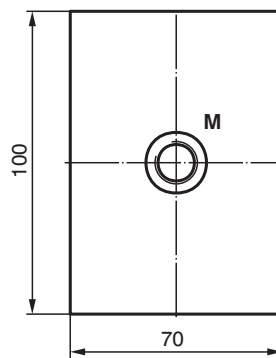
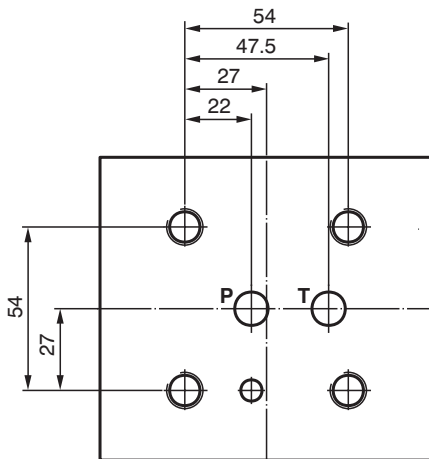
Grundplatte / Base plate PG 43/3-R

SCHALTSYMBOL SYMBOL

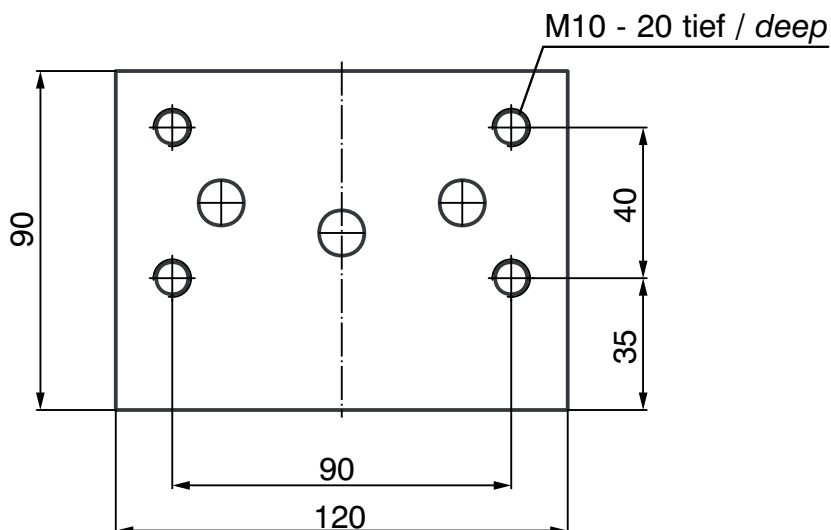
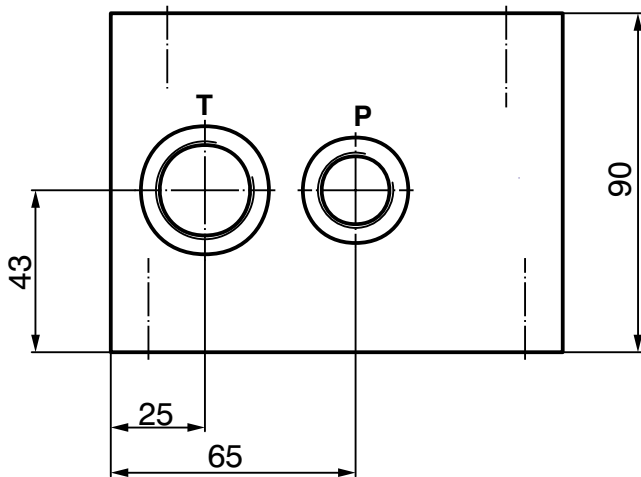
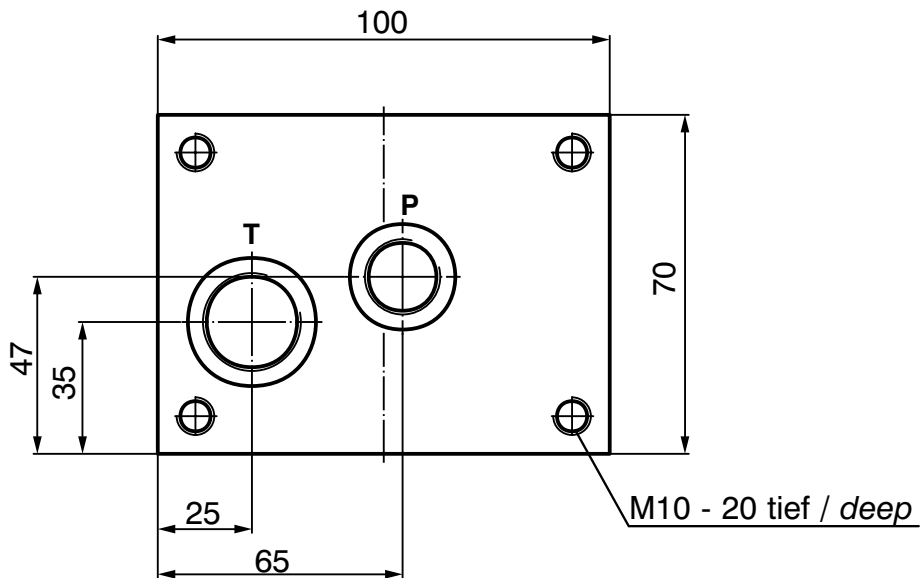


ANSCHLÜSSE CONNECTIONS

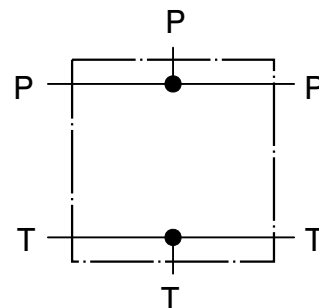
- M = G 1/4
- P = G 1/2
- T = G 3/4



Grundplatte / Base plate PG 43/5



Schaltymbol Symbol



Anschlüsse Connections

P = G 1/2

T = G 3/4

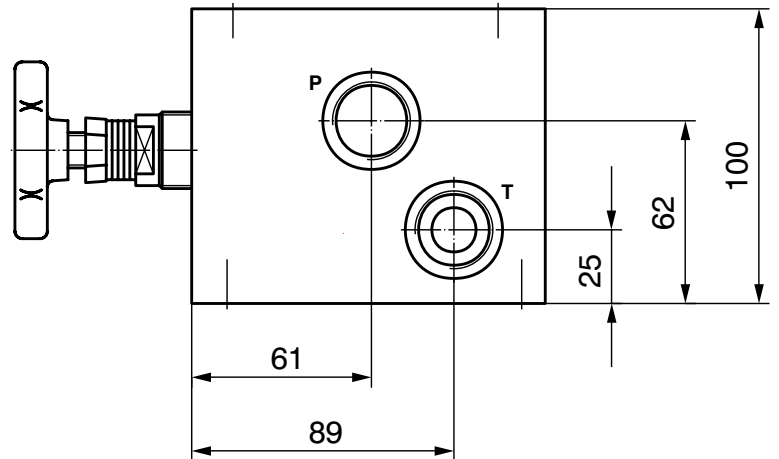
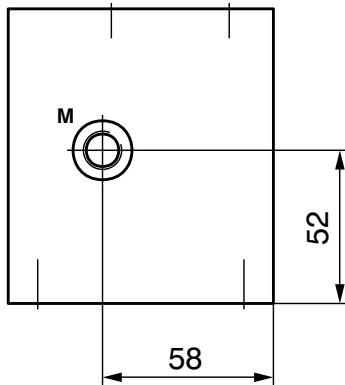
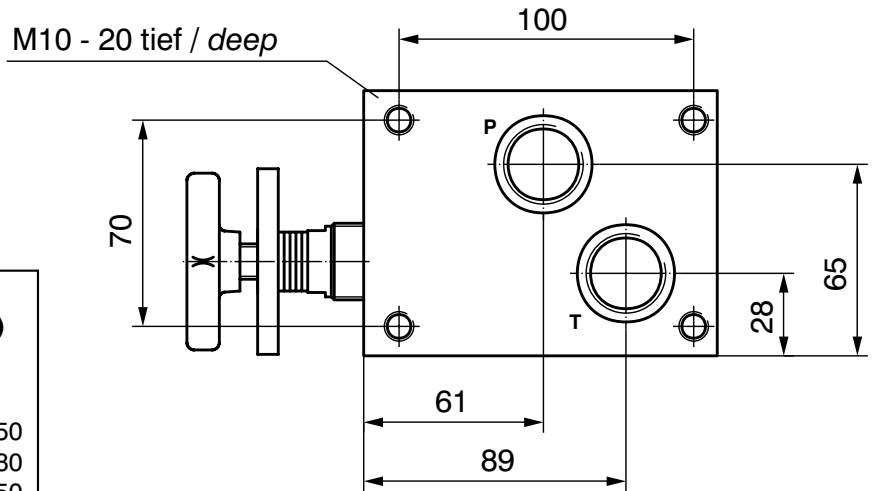
Grundplatte / Base plate PG 53/3-DB

Anschlüsse Connections

P, T = G $\frac{3}{4}$
M = G $\frac{1}{4}$

Patronen (siehe 18.0 - 4.2415/1) Cartridges (see 18.0 - 4.2415/1)

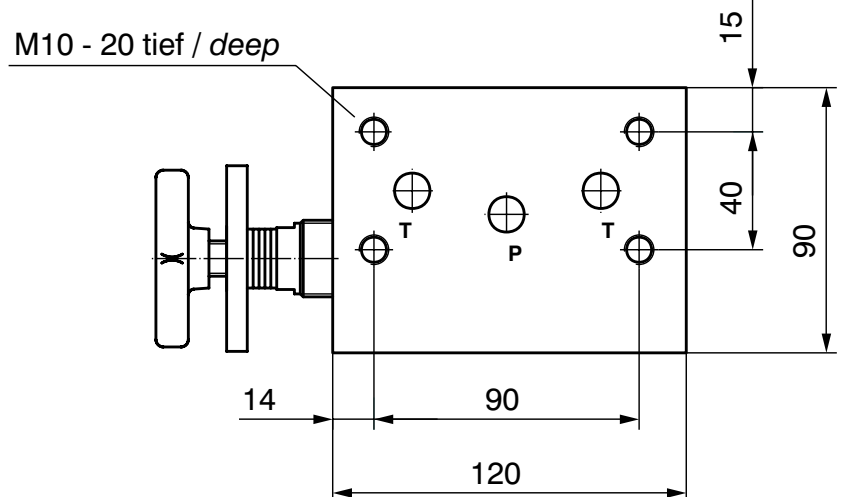
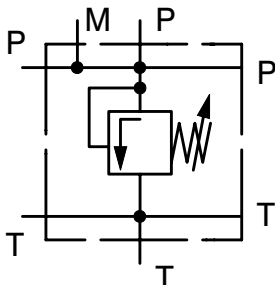
150 = PAT-B-05-D1-150
280 = PAT-B-05-D1-280
350 = PAT-B-05-D1-350



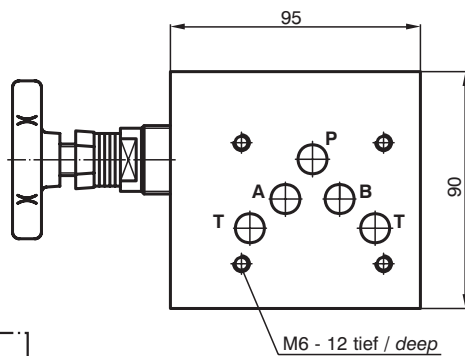
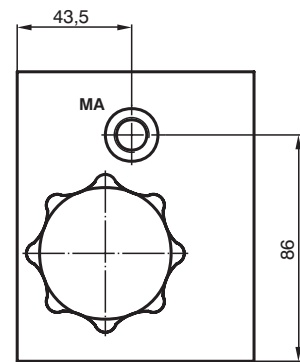
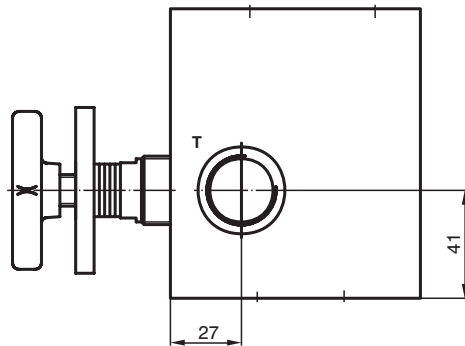
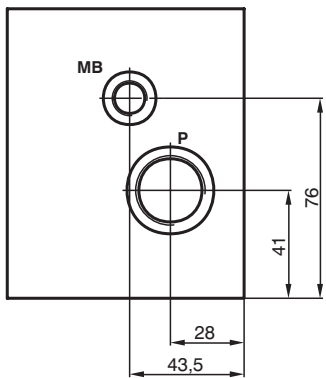
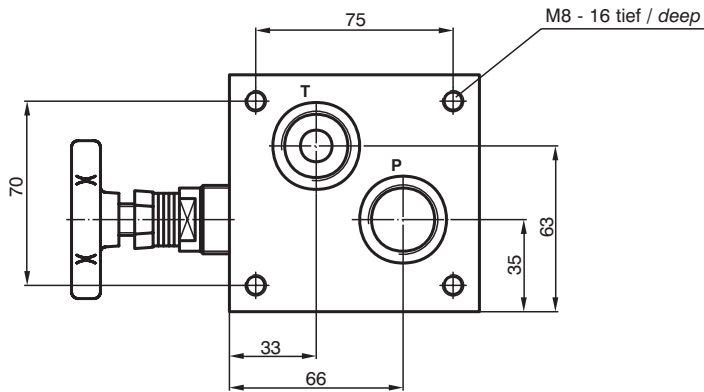
Druckbereiche Pressure ranges

150 = 15-150 bar
280 = 40-280 bar
350 = 50-350 bar

Schaltsymbol Symbol



Grundplatte / Base plate PG 54/3-DB

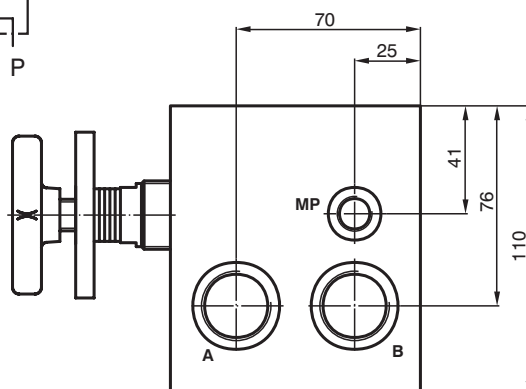
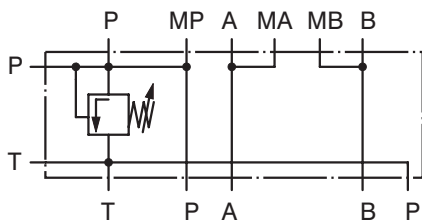


Druckbereiche Pressure ranges

150 = 15-150 bar
 280 = 40-280 bar
 350 = 50-350 bar

Anschlüsse Connections

P, A, B, T = G 3/4
 MA, MB, MP = G 1/4

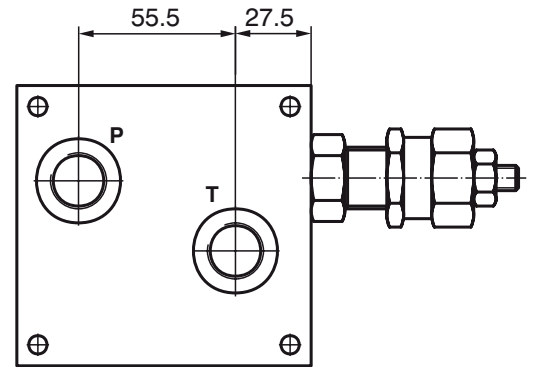
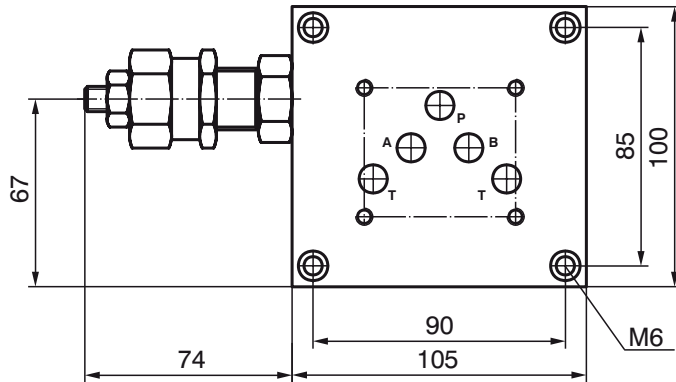


Patronen (siehe 18.0 - 4.2415) Cartridges (see 18.0 - 4.2415)

150 = PAT-B-05-D1-150
 280 = PAT-B-05-D1-280
 350 = PAT-B-05-D1-350

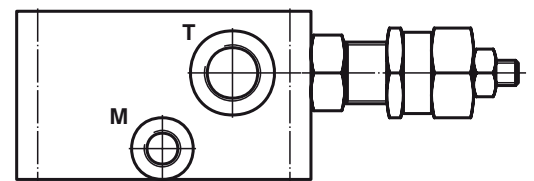
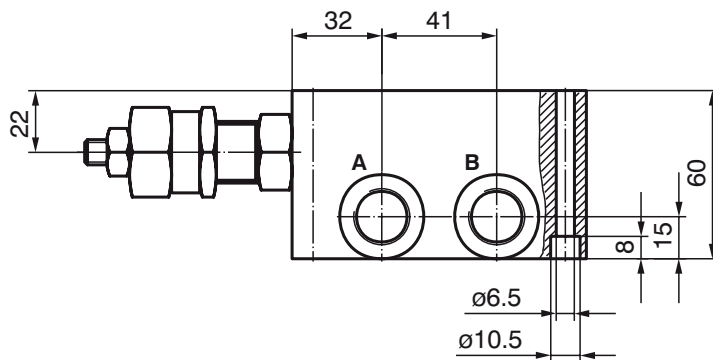
Grundplatte / Base plate PG 55/1-DB

Abmessungen Dimensions

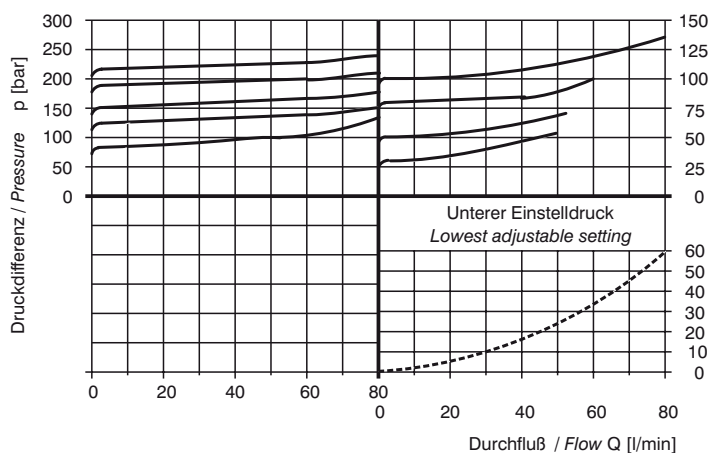


A-B-P-T = G 1/2

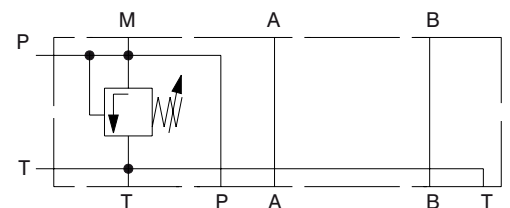
M = G 1/4



p-Q - Kennlinien Characteristic curves



Schaltensymbol Symbol



Techn. Daten Techn. data

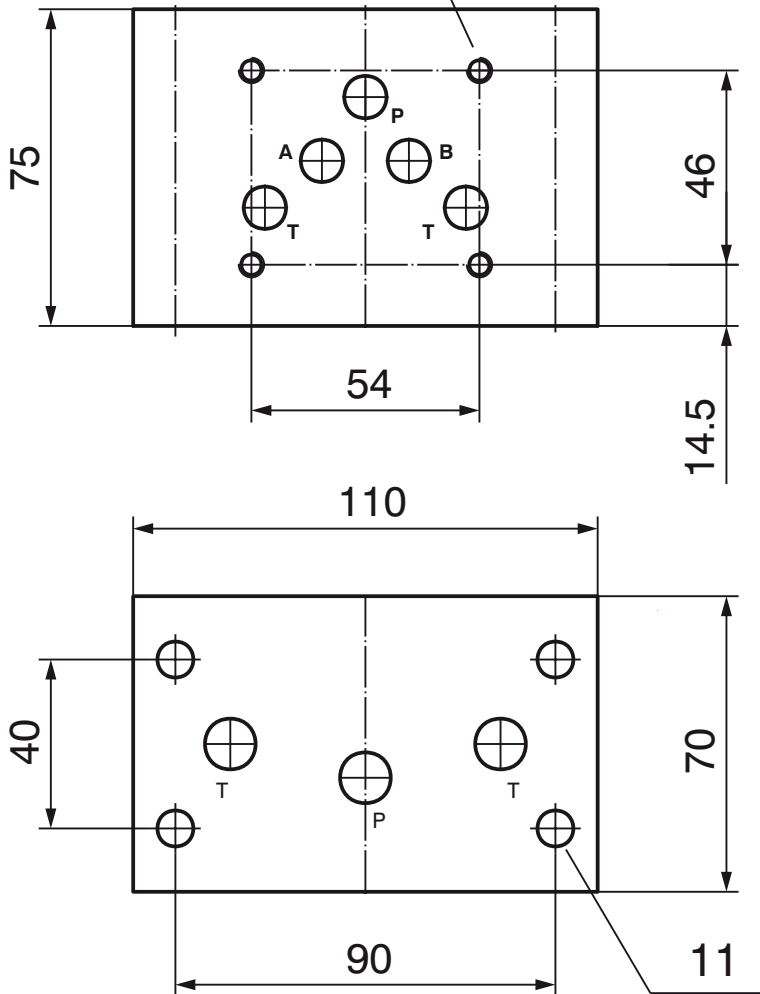
Betriebsdruck Working pressure	max. 250 bar
Durchfluß Flow	max. 80 l/min
Masse Weight	1,82 kg

Federn Springs

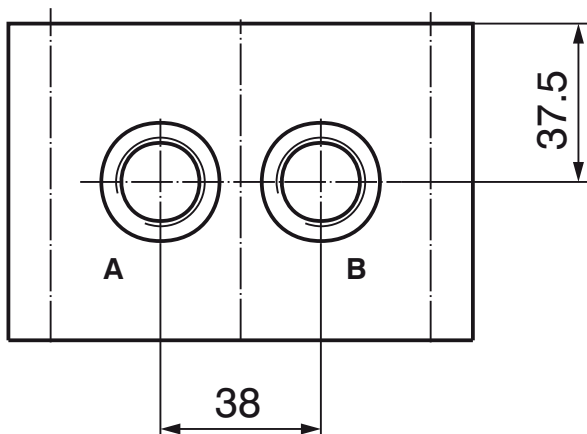
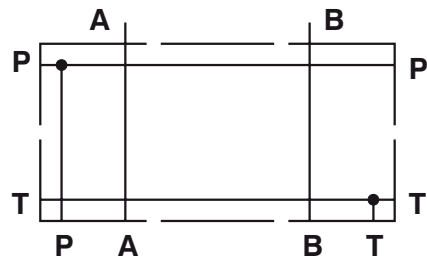
Einstellbereich [bar] Adj. press. range [bar]	5 - 50	35 - 100	80 - 250
Eing. Standarddruck [bar] Std. setting bar [bar]	50	100	200

Montageplatte / *Mounting plate* PA 47/1

M6 - 18 tief / *deep*



Schaltymbol
Symbol



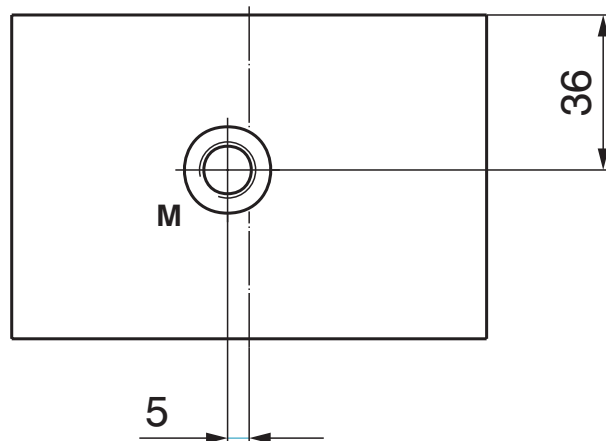
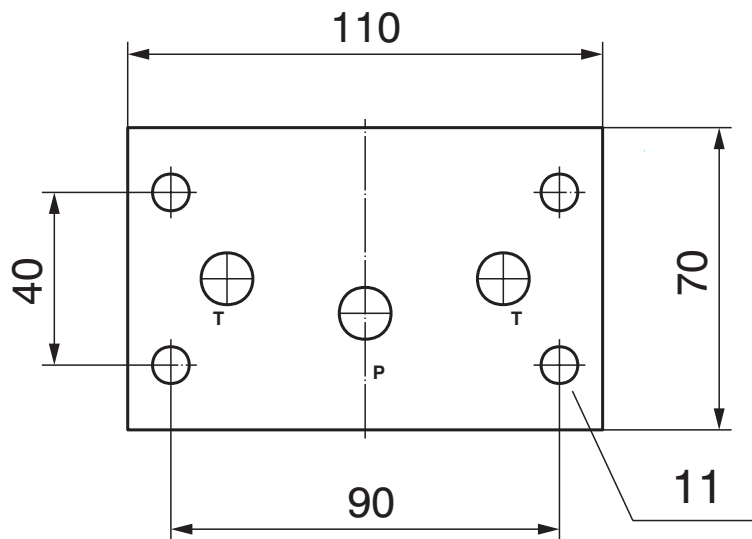
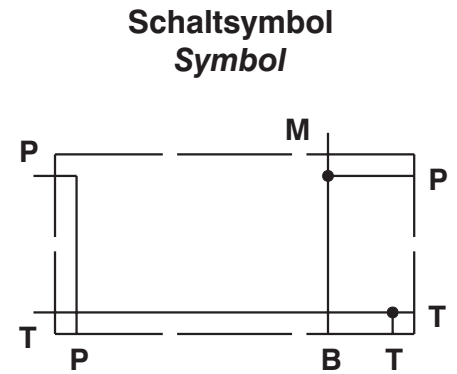
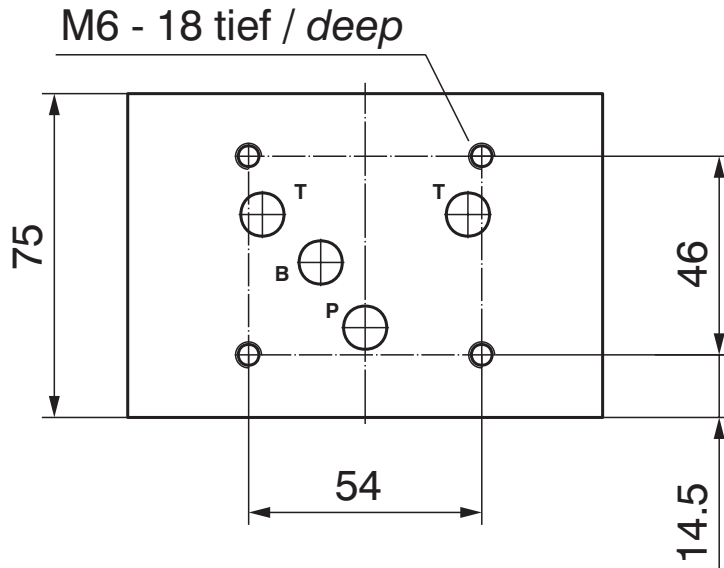
Anschlüsse
Connections

A, B = G 1/2

Dichtungen
Seals

3x O-Ring 2-015 (ø 14 x 1,78)

Montageplatte / *Mounting plate* **PA 48/7**



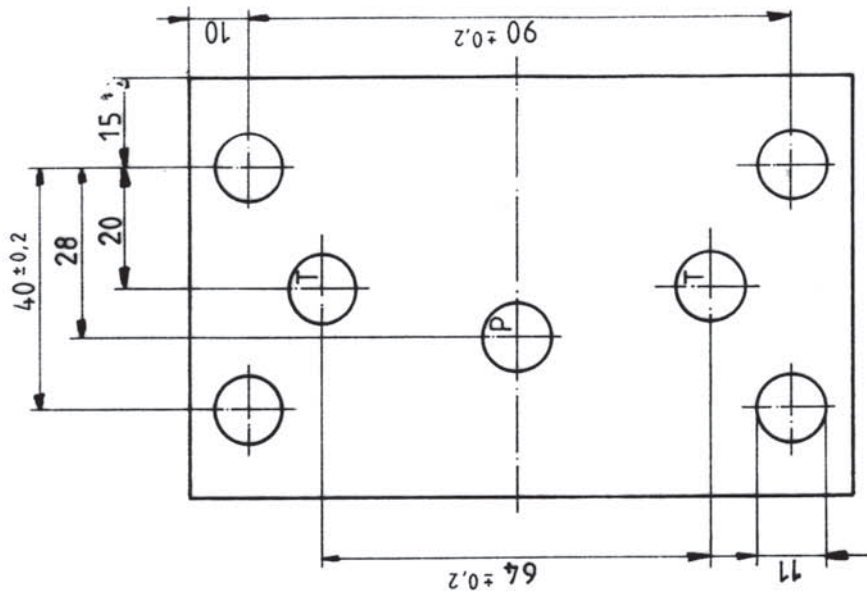
Anschlüsse *Connections*

M = G 1/4

Dichtungen *Seals*

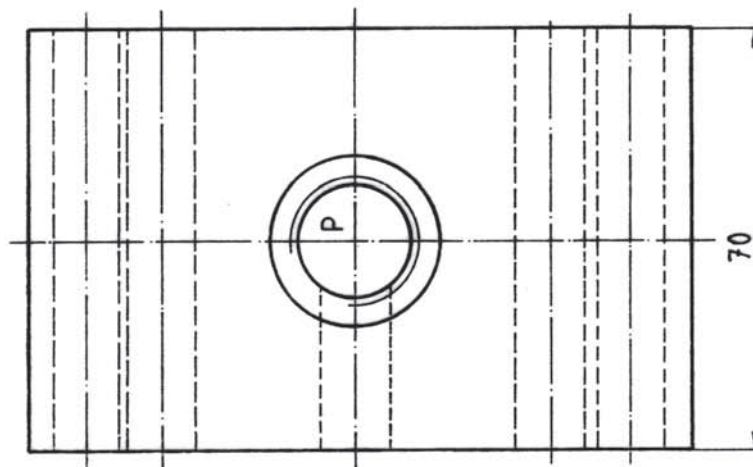
3x O-Ring 2-014 (ø 12,42 x 1,78)

Montageplatte / *Mounting plate* PA 47/3-R

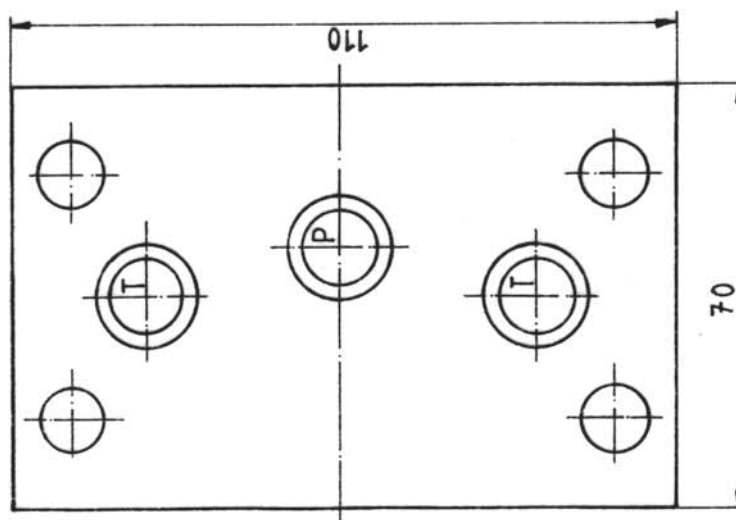
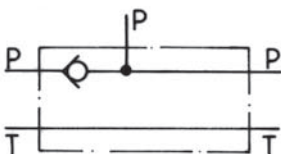


Dichtungen Seals

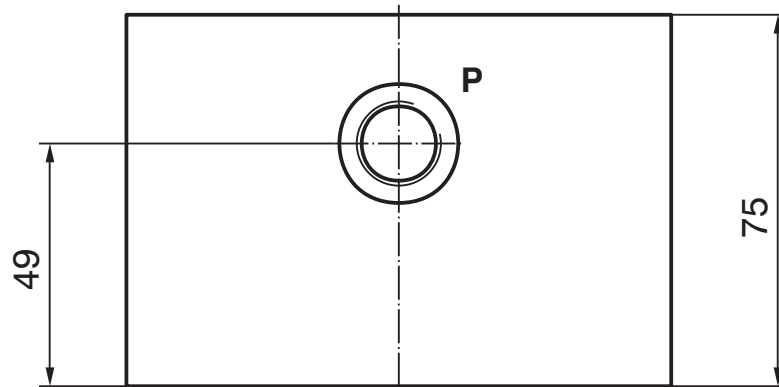
3 Stück O-Ring
 3 piece of O-Ring
 2-015 (ø 14 x 1,78)



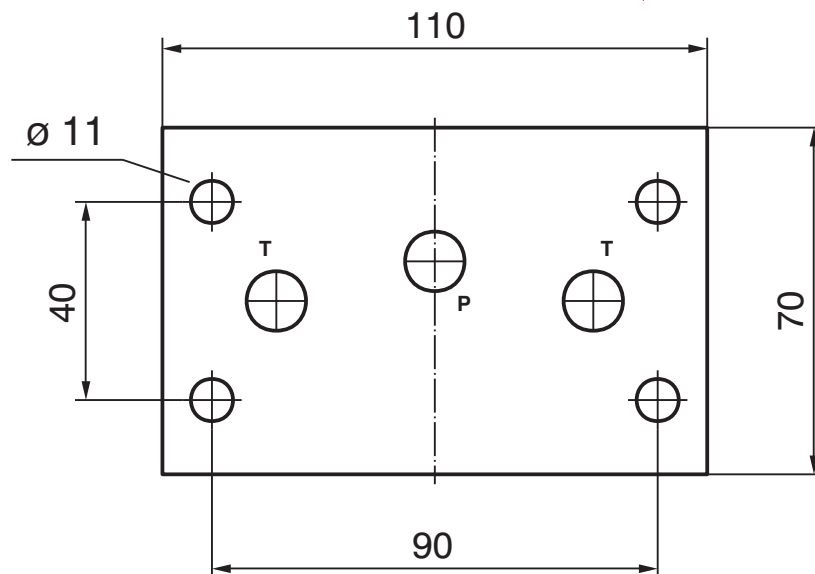
Schalt-symbol Symbol



Montageplatte / *Mounting plate* **PA 47/7-R**



P = G 3/8

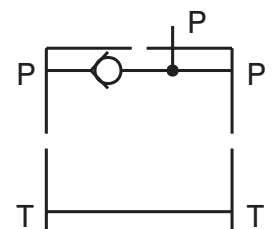


Dichtungen

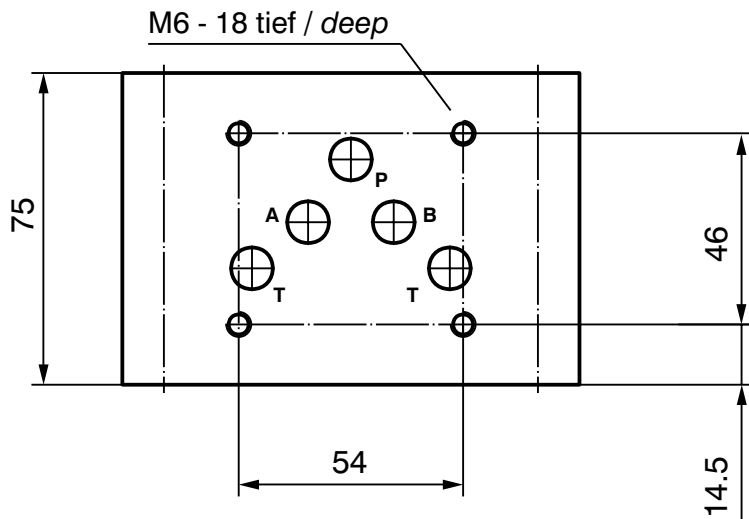
Seals

- 1 Stück O-Ring
1 piece of O-Ring
 2-021 (\varnothing 23,52 x 1,78) - P
- 1 Stück O-Ring
1 piece of O-Ring
 2-015 (\varnothing 14 x 1,78) - T

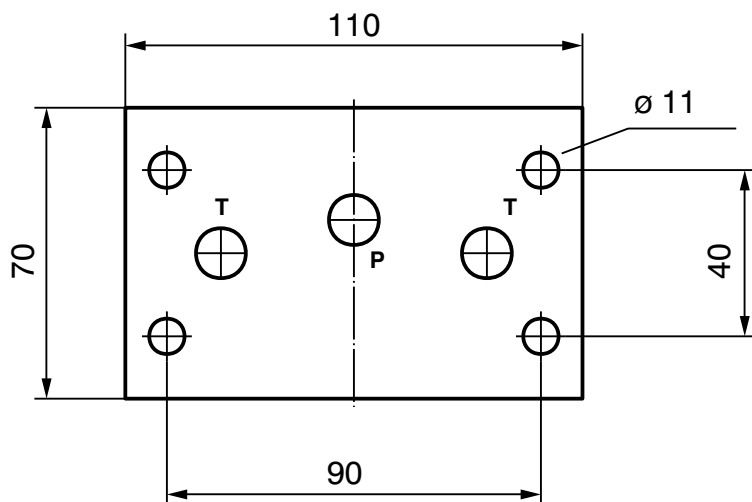
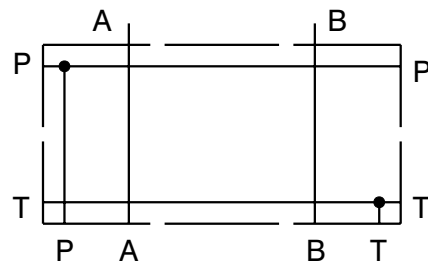
Schaltsymbol Symbol



Montageplatte / *Mounting plate* PA 57/1



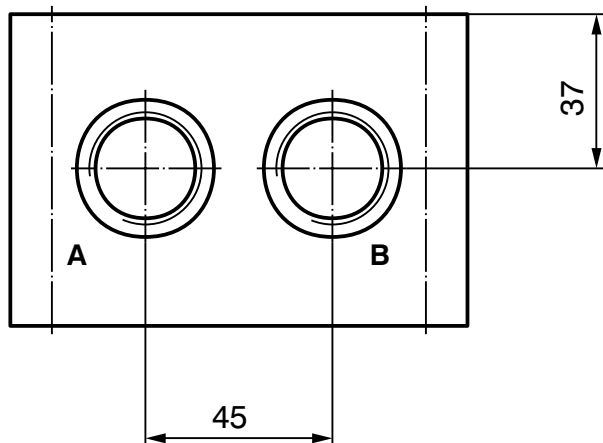
Schaltymbol *Symbol*



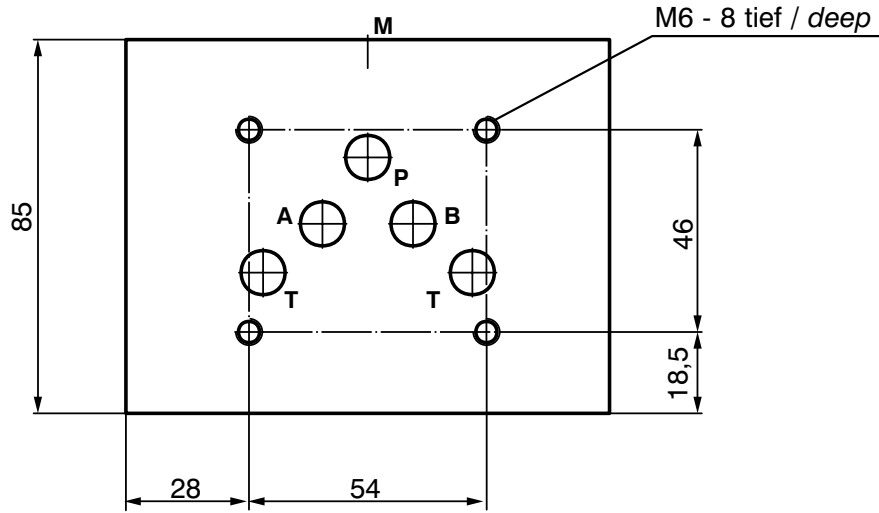
A = G 3/4
B = G 3/4

Dichtungen *Seals*

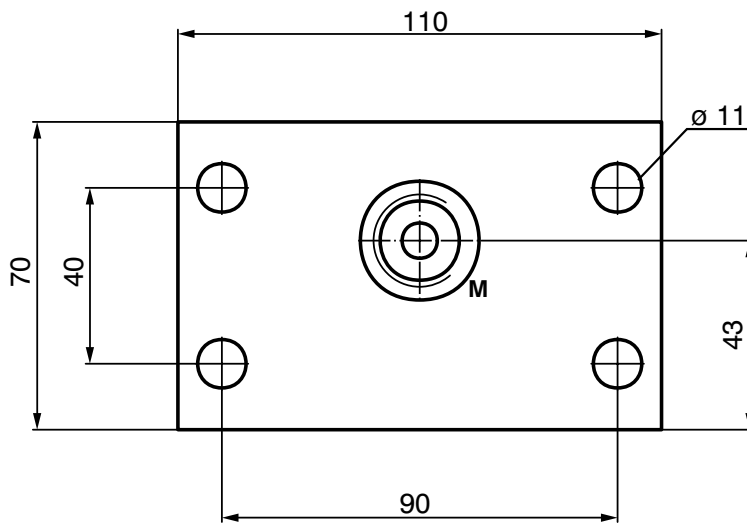
3 Stück O-Ring
 3 *piece of O-Ring*
 2-015 (ø 14 x 1,78)



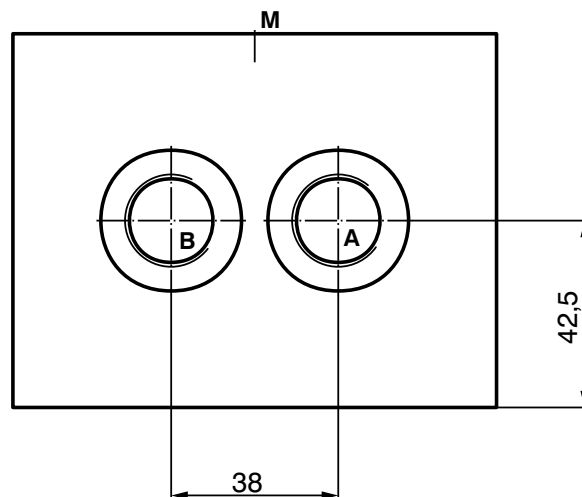
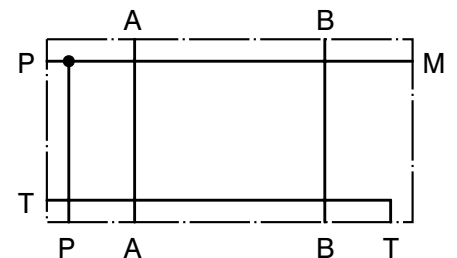
Aufbauendplatte / *Mounting end plate* **PAE 46/7**



Dichtungen 3 O-Ring 2-015 (ø14 x 1,78)
Sealings



Schaltymbol
Symbol

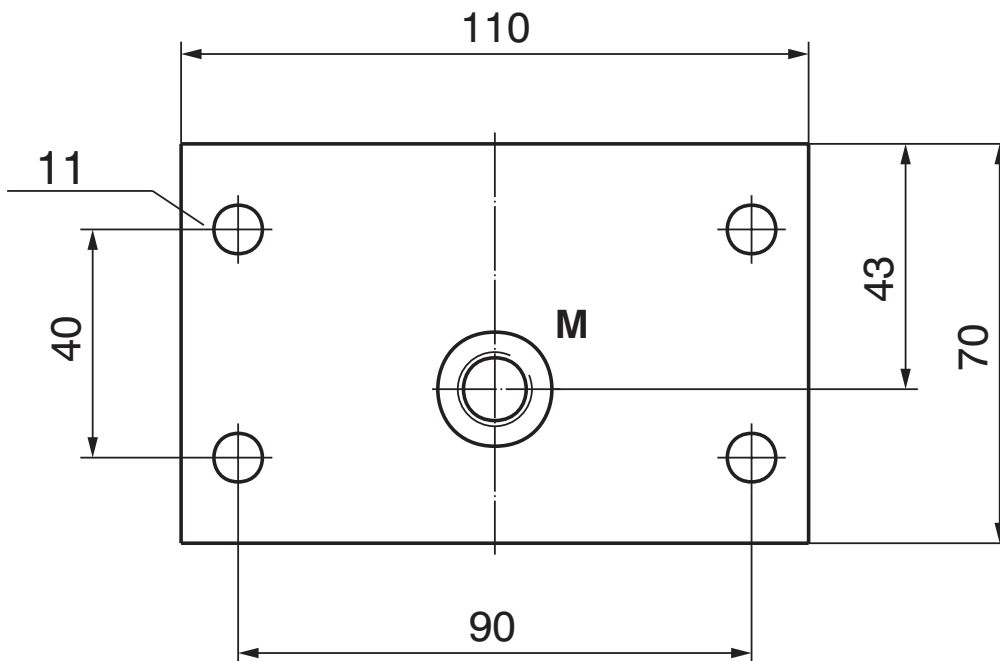
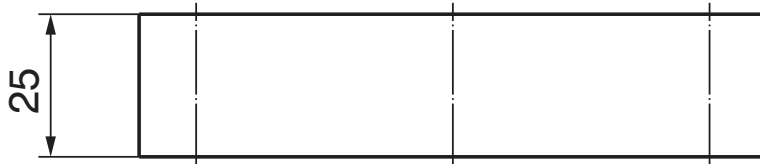
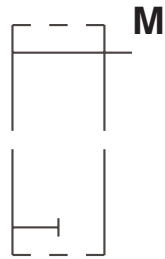


Anschlüsse
Connections

A, B, M = G 1/2

Endplatte / End plate PE 49/1

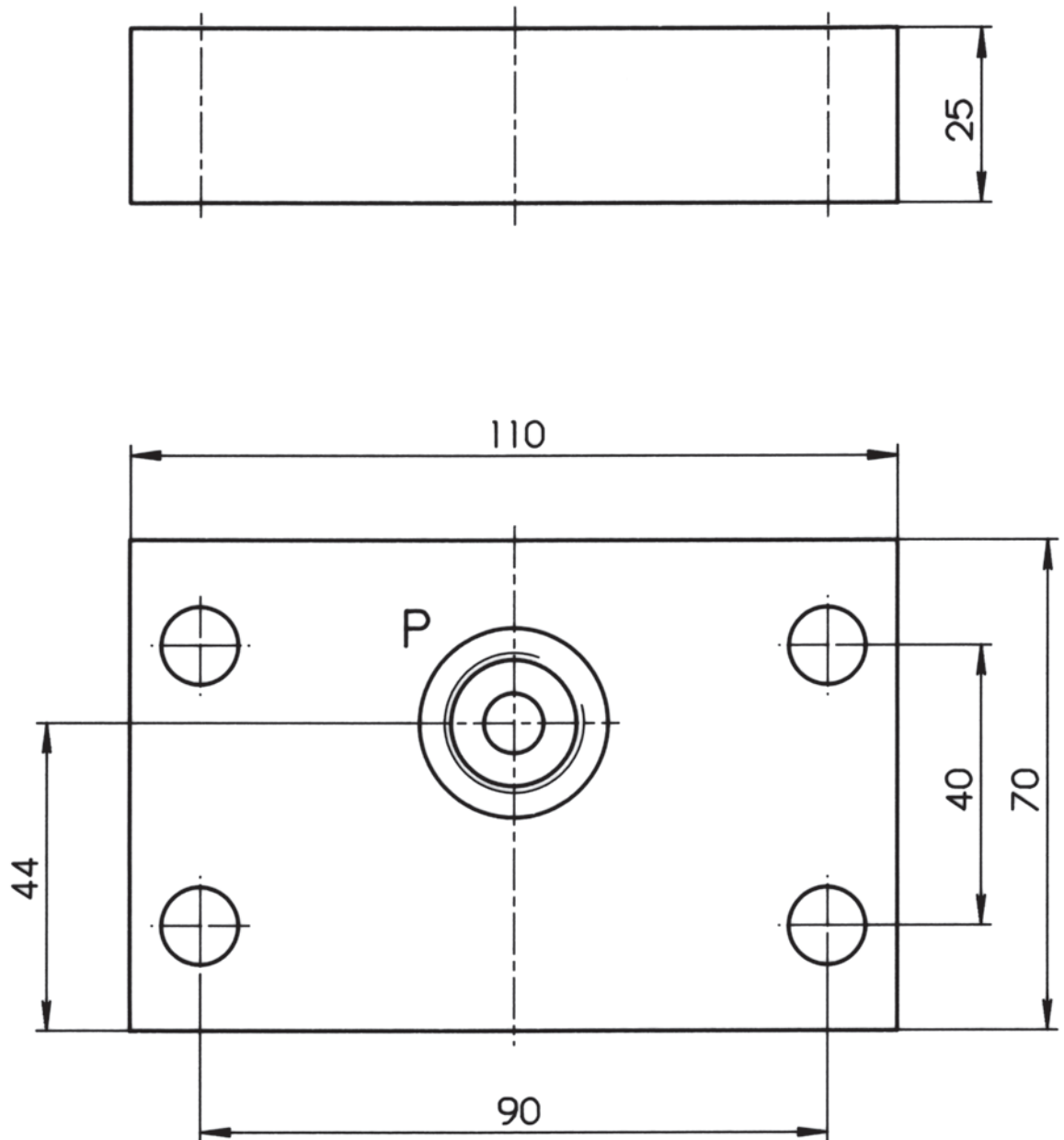
Schaltsymbol
Symbol



Dichtungen
Seals

3x O-Ring 2-015 (\varnothing 14 x 1,78)

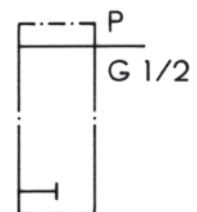
Endplatte / End plate
PE 49/3



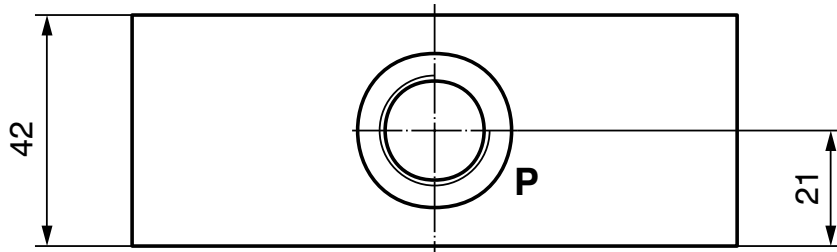
Dichtungen
Seals

3 Stück O-Ring
3 piece of O-Ring
2-015 (ø 14 x 1,78)

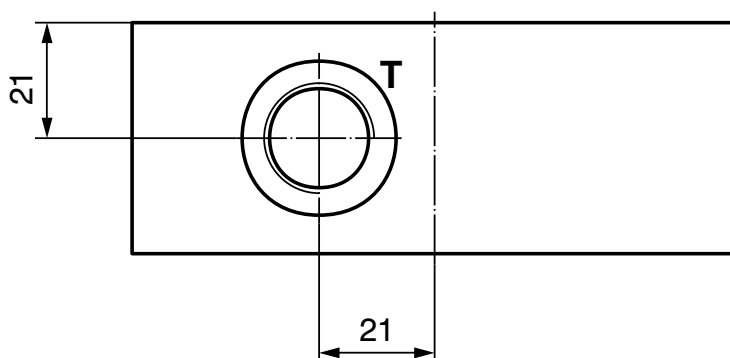
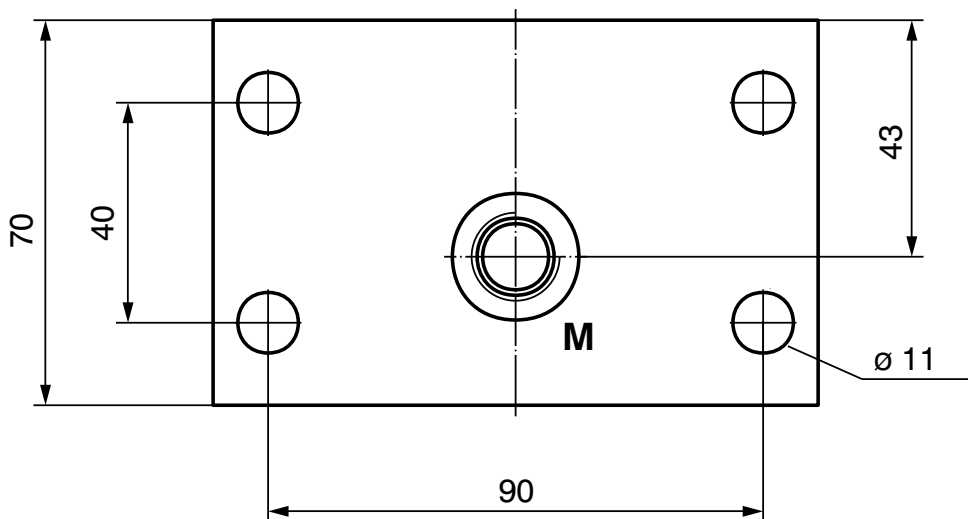
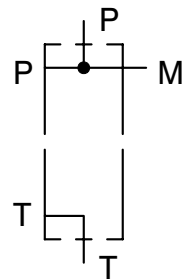
Schaltymbol
Symbol



Endplatte / End plate PE 49/5



Schaltsymbol Symbol



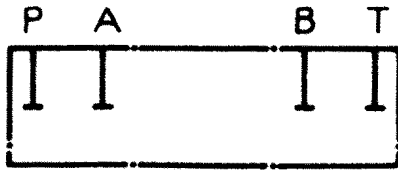
P	=	G 1/2
T	=	G 3/4
M	=	G 3/8

Dichtungen Seals

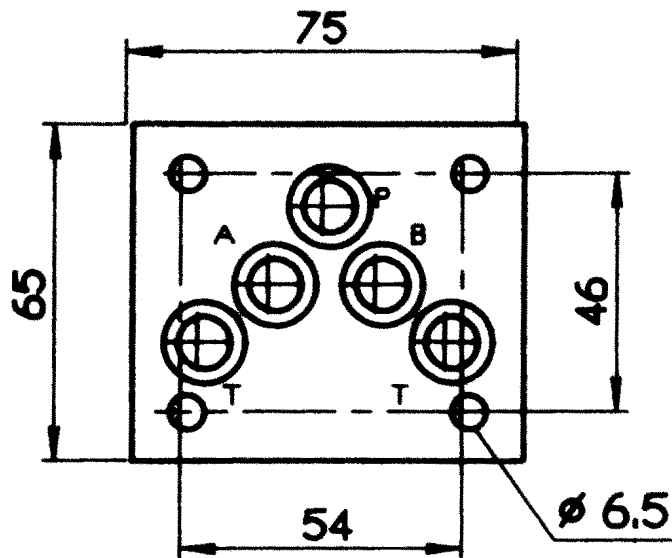
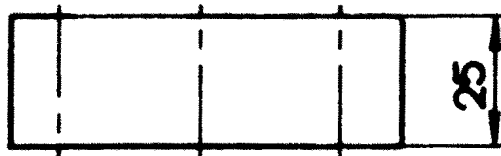
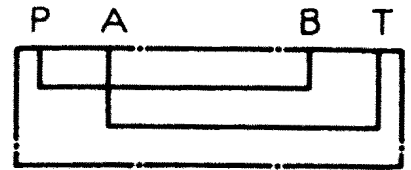
3 Stück O-Ring
 3 piece of O-Ring
 2-015 (ø 14 x 1,78)

Montageplatten / *Mounting plates*
P 70/10 + P 71/10

P 70/10



P 71/10



Dichtungen
Seals

5x O-Ring 2-014 ($\varnothing 12,42 \times 1,78$)

